

Kobelco Crawler Crane Top Roller



1. Kobelco Top Roller /Upper Roller /Carrier Roller Specification:

Technology	Forged Crawler Crane Top Roller
Feature	Heat treated Top Roller
Material	40Mn2,50Mn
Bearing Type	Rolling
Warranty	2000 Working Hours
Hot-Sale	7055 Top Roller, BM700 Upper Roller, CKE2500 Top Roller, CKE900 Upper Roller

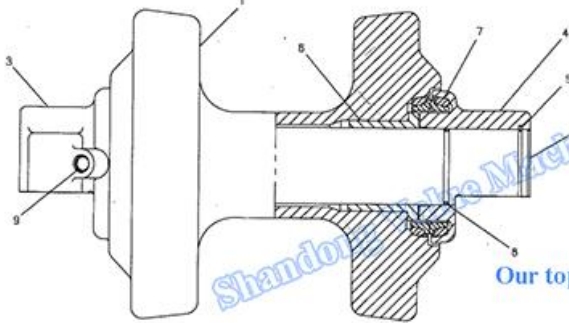
2. Kobelco Top Rollers are suitable for those model:

Kobelco	<p>P&H60P, P&H70P, P&H75P, P&H100P, P&H315, P&H320, P&H325, P&H330, P&H335, P&H345, P&H440, P&H550A, P&H550-1, P&H550-2, P&H550AS, P&H5035, P&H5045, P&H5055, P&H5100;</p> <p>7035, 7045, 7050, 7055, 7065, 7070, 7080, 7090, 7100, 7120, 7150, 7200, 7250, 7250-2, FS80, FS90;</p> <p>BM500, BM600, BM650, BM700, BM700HD, BM750, BM800, BM800HD, BM900, BM900HD, BM1000HD, BM1200;</p> <p>CKS600, CKS2500, CKE600, CKE700, CKE800, CKE850, CKE900, CKE1000, CKE1100, CKE1350, CKE1800, CKE2500, CKE2500-2, CK850, CK1000, CK1000G, CK1600, CK2000-2, CK2500, SL4500, SL6000, etc</p>
---------	--

3. Kobelco Upper Roller Assembly:

1). Our Upper roller assembly includes Roller, Pin, Collar, Ring, Bushing, Seal, Floating, O-Ring, Plug.

Top Roller/Upper Roller Assy



符号 ITEM	部品番号 PART No.	PART NAME	部品名	数量 QTY
	JJ64000002F1	ROLLER ASSY, UPP	ロ-ラ 7727, 790"	1
1	JJ64001006P1	ROLLER	ロ-ラ	1
2	2419K30	PIN	ピン	1
3	2416N187001	COLLAR	お-	1
4	2416N187002	COLLAR	お-	1
5	R16T03R2	RING	ワッパ	4
6	2405P200C1	BUSHING	ブッシヤ	2
7	Z058F09532	SEAL, FLOATING	シ-ル, フロ-ティン	2
8	Z011G06000	O-RING	O-ワッパ	2
9	Z182T04000	PLUG	プラグ	2

Our top roller assembly include all listed parts: 1, 2, 3, 4, 5, 6, 7, 8, 9.

4. Package information and Details:

Generally, Kobelco top rollers are packed in Pallet Covered With Thin Film and Sticker

PACKAGE & DELIVERY



2 Pallets/Package



Each Pallet Covered With Thin Film and Sticker



Parts in the Container



Parts are delivered to Port

FAQ

Q Does the crawler crane Top roller and pin have heat treatment?

- Yes, all the top roller and pin undergo heat treatment, hardening and tempering.

Q What is the warranty period of the top roller?

- Crawler Crane Top Roller warranty period is 2000 working hours.
- After delivery, we will issue quality certificate. If the Top Roller are damaged under normal use in warranty period, new one will be send to you as soon as possible.

Q How long is the delivery time?

- We have parts storehouse covered the area of 3000m².
- Most parts are available in stock. If no stock, we will delivery the parts in 15-25 days after getting your final purchasing order.

Q Do you provide samples?

- Yes, we can offer part samples, but the cost shall be borne by you.

Q Can you produce parts according to sample or drawing?

- Yes, our engineers have rich experience in undercarriage parts, they will choose the suitable material and production technology for you.

Shandong Value Machinery Manufacture Co.,LTD

Add : NO.1 Tianzheng Road,Laishan District,Yantai City,Shandong Province,China

Tel : +86 535 6710636

Fax : +86 535 6710836

E-mail : info@valuetrackpart.com

Website : www.valuetrackparts.com